

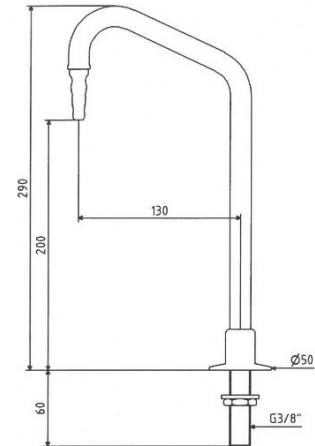


ARBOLES UK

LABORATORY TAPS, SAFETY SHOWERS AND EYE WASHES

arboles.co.uk
sales@arboles.co.uk

T: +44 (0)1204 388814
F: +44 (0)1204 388813



Part Code: 800711

Description: Bench mounted fixed swan neck outlet with removable nozzle

Services: For use with water and standard laboratory wet service applications

Application: Ideally suited for usage within a fume cupboard where the supply is controlled from a front control panel valve for example

Options: A replacement nozzle is available if required

Construction: Brass construction with a brass identification base ring which conforms to DIN EN13792 standard. The body is coated in chemical and scuff resistant Rilsan. The height is 200mm from base ring to nozzle

Connection & Mounting: Bench mounted with a male 3/8" shank with back nut and washer

Pressure: A maximum pressure of 10bar

Unit 56, Flexspace Business Centre, Manchester Road, Bolton, B13 2NZ.

