

## Arboles UK: Commercial Laboratory Sink



Extremely durable science-friendly fireclay lab sinks, designed to fix under a benchtop. Available in 4 sizes.

### Product Information

Acid and alkali resistant.

Antibacterial glazed surfaces.

Designed to withstand heavy use.

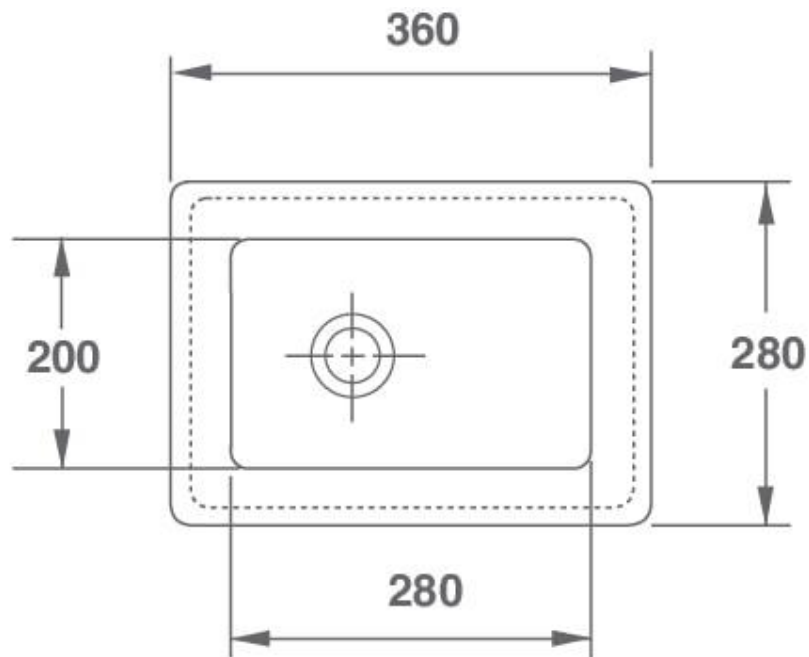
Inset or undermount installation.

No overflow.

1.5" Waste outlet.

White finish.

### Laboratory Type 1:

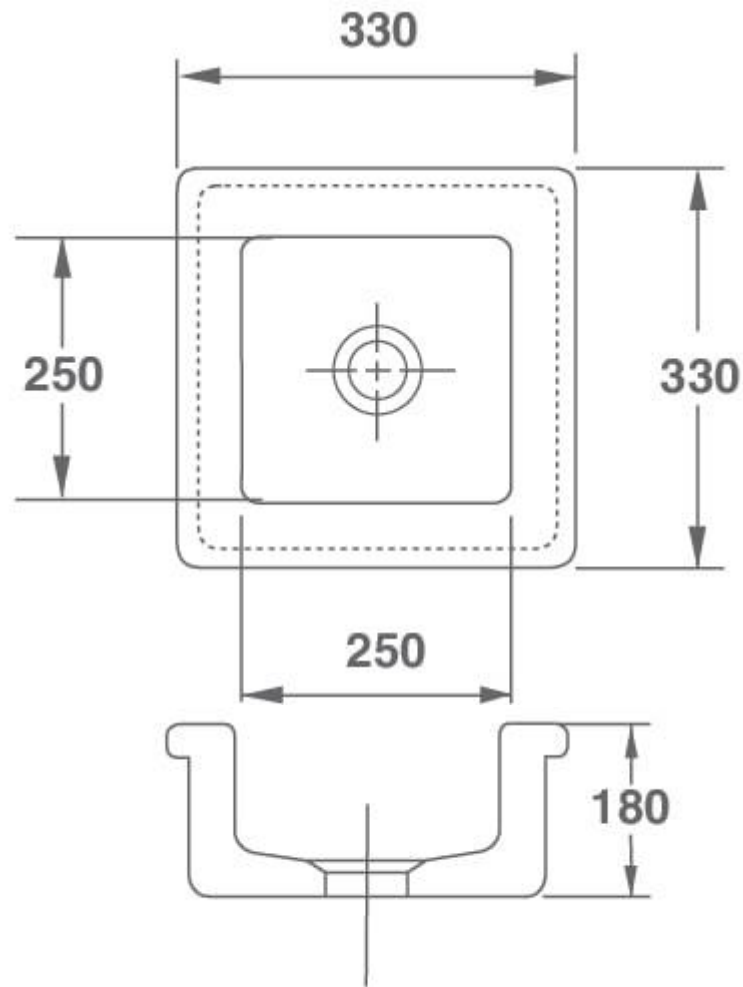


Dimensions:

360, 280, 178, 280, 200 (mm)

Weight: 14kg

Laboratory Type 2:

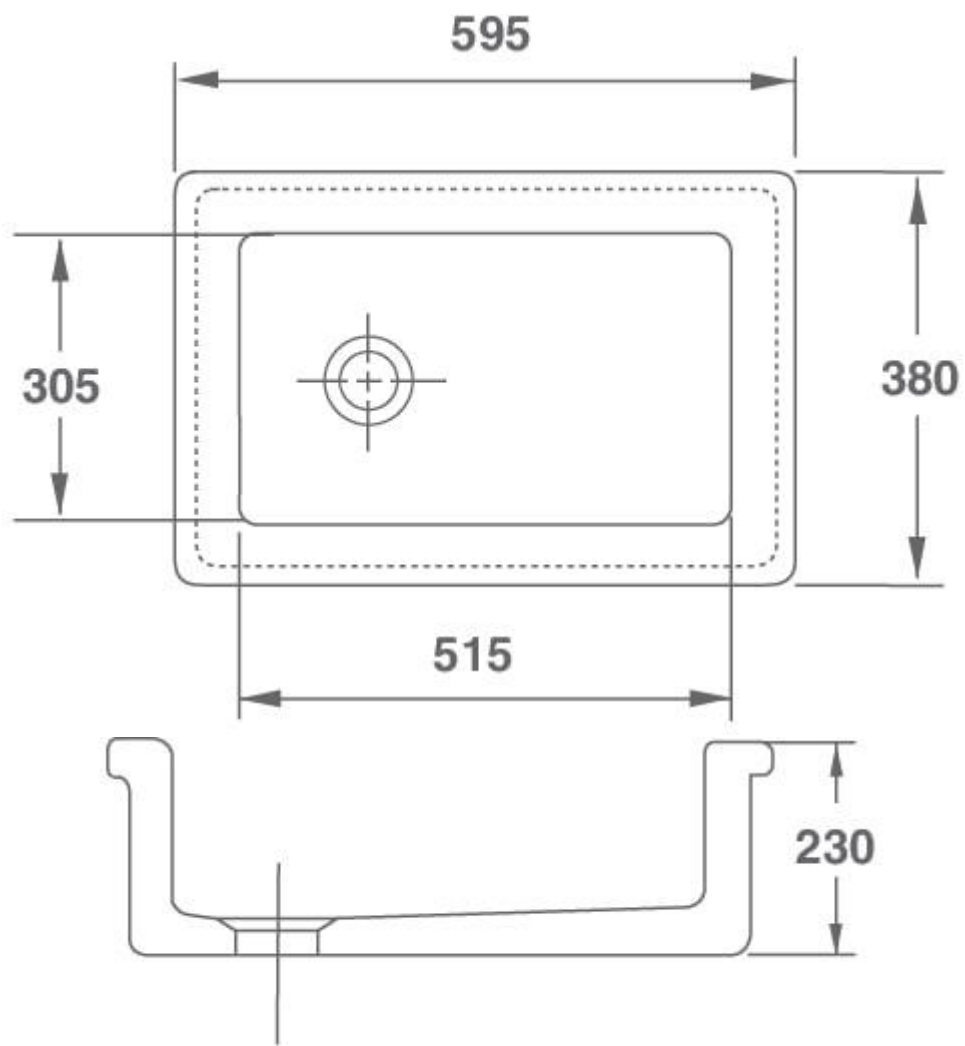


Dimensions:

330, 330, 180, 250, 250 (mm)

Weight: 17 kg

Laboratory Type 3:

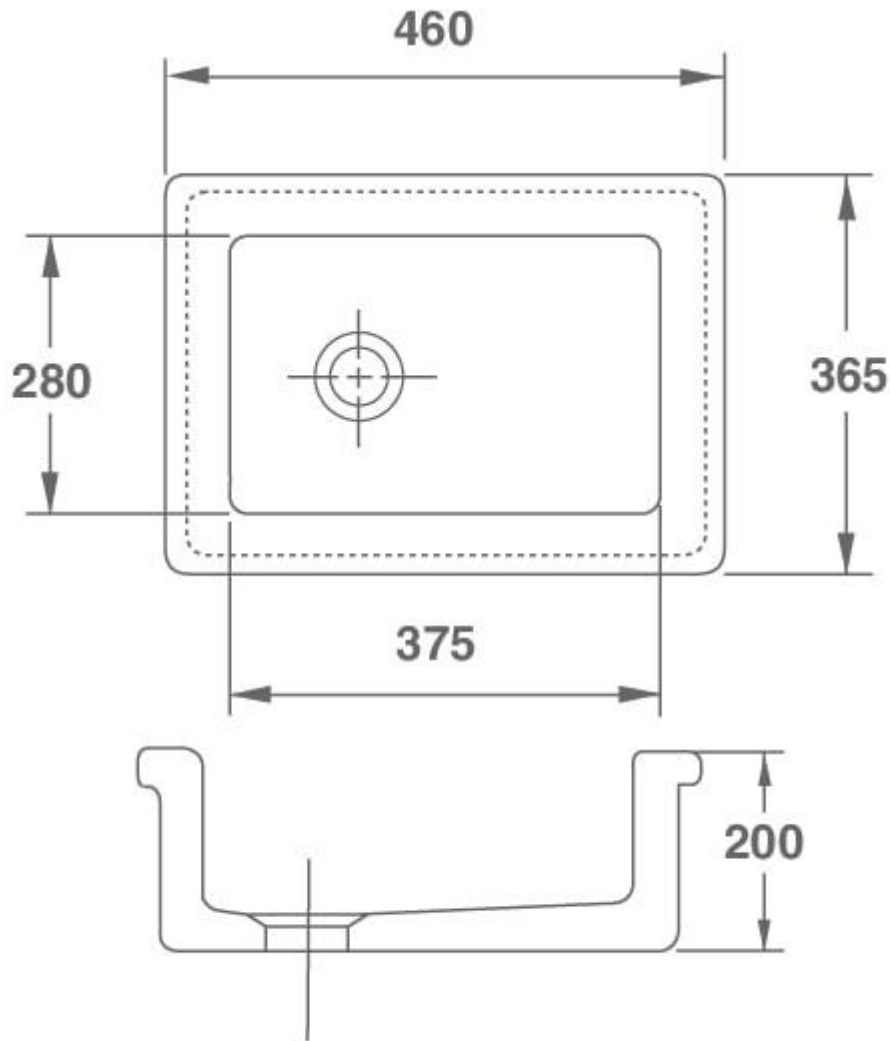


Dimensions:

595, 380, 230, 515, 305 (mm)

Weight: 26 kg

## Laboratory Type 4:



### Dimensions:

460, 365, 200, 375, 280 (mm)

Weight: 38 kg

### Caring for your sink:

To keep your investment looking at it's best, we recommend it to be cleaned on a daily using a soft sponge or cloth and a non-abrasive cleaning product. A simple solution of soap and water generally does an excellent job.

The sinks are handcrafted, as such the graduation can be subtle and may not drain in the same way you are accustomed to. Therefore, on occasion you may need to wipe the bottom of your sink dry.

Our sinks are proven to be incredibly durable and long lasting being heatproof and resistant to chemicals, impact, stains and odours.

Our sinks boast being made of natural materials, possess a life time warranty, are waste disposal compatible, have anti bacterial properties and are fully recyclable.

