

ARBOLES UK LTD

Unit 56 · Flexspace Business Centre · Manchester Road · Bolton · BL3 2NZ
 T: +44 (0)1204 388814 F: +44 (0)1204 388813

sales@arboles.co.uk www.arboles.co.uk

DATE

October 2020

DIMENSIONS IN MILLIMETERS
 MAY VARY BY $\pm 10\text{mm}$

Product Dimensions

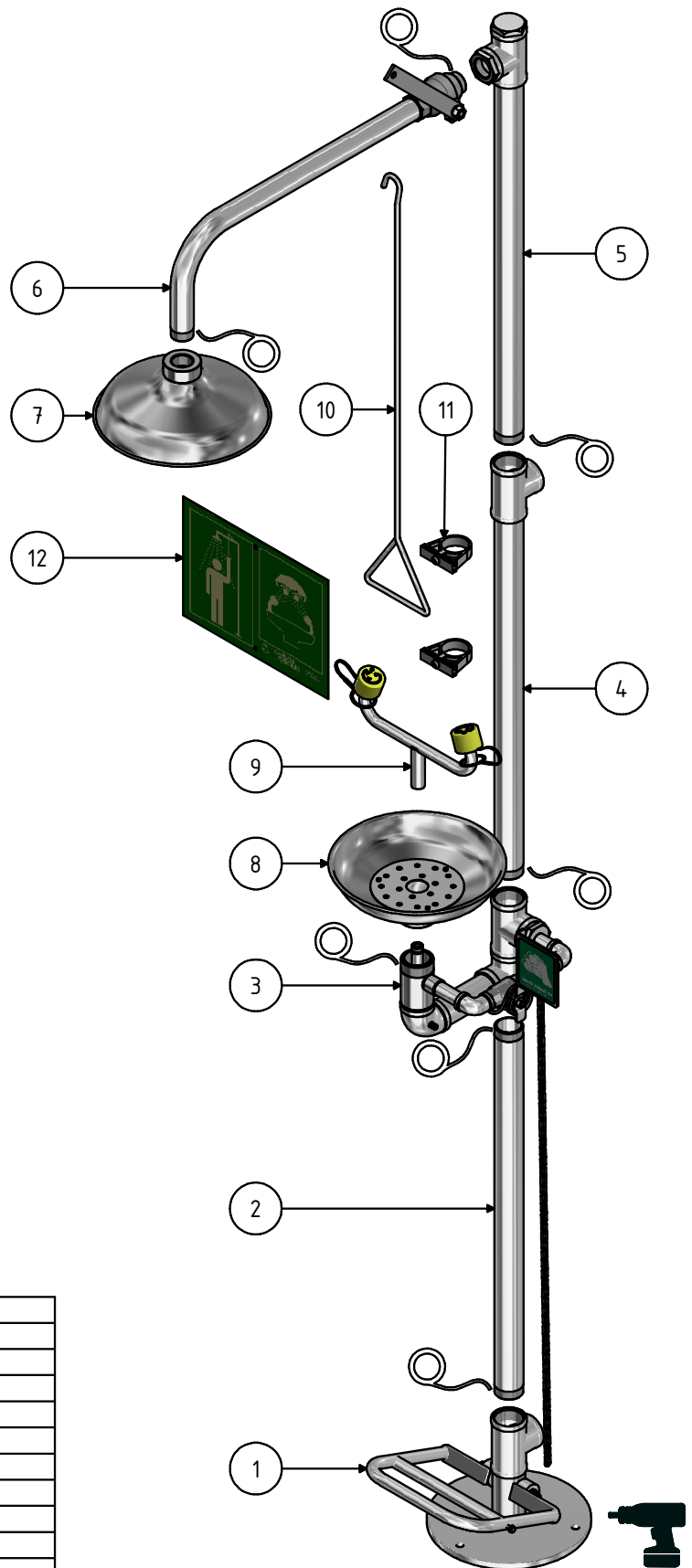
SIZE
 DIN A4



SCALE
 1 : 20



REF.
 4250 TI

Floor Mounted Stainless Steel Emergency Shower with Treadle Operated Eyewash



 Sealant
 Tools to fasten

Item	Qty	Ref.	Descr.
1	1	181035	SUPPORT ASSEMBLY WITH FOOT CONTROL
2	1	838650	PIPE 1-1/4" x 650 mm
3	1	181140	EYEWASH BLOCK ASSEMBLY
4	1	181125	MIDDLE PIPE ASSEMBLY
5	1	181130	UPPER PIPE ASSEMBLY
6	1	181075	SHOWER ARM ASSEMBLY
7	1	192100	SHOWER HEAD
8	1	191150	BOWL
9	1	191136	EYE WASH 'BULL HORN' HEAD ASSEMBLY
10	1	191105	SHOWER PULL ROD
11	1	191007	SIGN FIXING KIT
12	1	191006	SHOWER AND EYEWASH SIGN

ARBOLES UK LTD

Unit 56 · Flexspace Business Centre · Manchester Road · Bolton · BL3 2NZ
 T: +44 (0)1204 388814 F: +44 (0)1204 388813

sales@arboles.co.uk www.arboles.co.uk

DATE October 2020		
Installation Diagram	SIZE DIN A4	SCALE 1 : 10