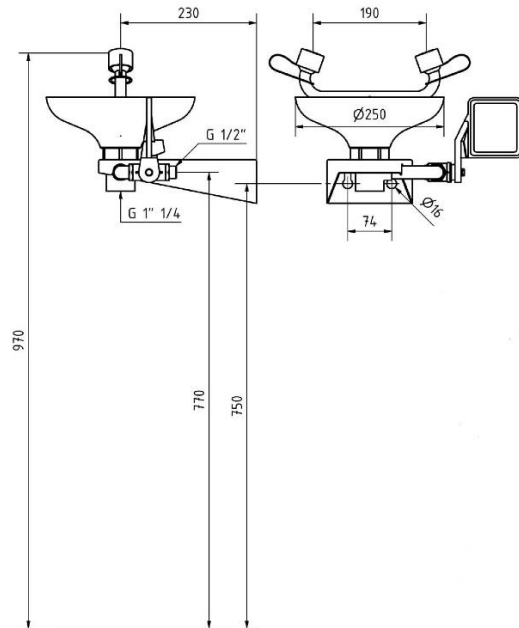




ARBOLES UK LTD

LABORATORY TAPS, SAFETY SHOWERS AND EYE WASHES



Model: 2210TI Wall mounting eyewash stainless steel.

Conforming and certified to ANSI/SEA Z358.1-2009, DIN 12899-3-2007 and EN15154-1-2006

General Features:

Materials: All stainless steel with the exception of the yellow plastic head covers.

Supply: Potable water:

Water Inlet: G1/2" BSP

Inlet pressure: Recommended 2 bar/ Minimum 1.5 bar/ maximum 8 bar.

Flow rate: Eyewash 22 L/min regulated.

Installation: The assembly should be mounted as per the above diagram to ensure the correct water flow pattern is achieved as specified in the stated standards. It should be installed in a highly visible location with easy access from at least three directions, the position should be reachable within 10 seconds of any hazardous area. The general area should be kept clear at all times with clear access and no obstructions which could hinder access if vision is impaired. Suitable flooring should be considered to prevent a slip hazard along with suitable drainage or a procedure to deal with spillage.

Operation and testing: The control paddle should be pushed to be activated; the valve and flow should remain open until manually turned off. It should be also ensured that the water supply cannot be turned off or interrupted in the supply pipework. The assembly should have the function verified once per week and recorded on the included schedule card.

ARBOLES UK LTD

Unit 56 • Flexspace Business Centre • Manchester Road • Bolton • BL3 2NZ

T: 0044 (0)1204 388814 F: 0044 (0)1204 388813

sales@arboles.co.uk www.arboles.co.uk