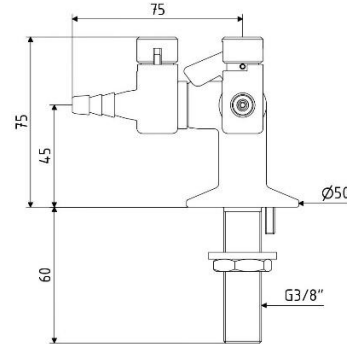
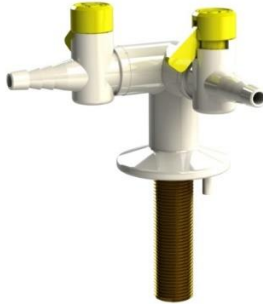




# ARBOLES UK LTD

LABORATORY TAPS, SAFETY SHOWERS AND EYE WASHES



**Part No:** 900033NG-WA

**Description:** Two-way high visibility droplever gas tap fixed serrated nozzle.  
Integral anti-rotation pin.

**Applications:** Standard laboratory gas tap for Bunsen burner type applications. Suitable for both natural and LPG gas applications.

**Construction:** All brass body, Rilsan plastic coated, white (RAL 9016).  
Identification coding to DIN13792

**Connection and mounting:** 3/8" BSP male flat ended shank x 60mm long with back nut.  
Standard anti-rotation base with location pin. Two mounting holes 17mm and 5mm diameter are required through the work surface, template enclosed.

**Service:** Natural or LPG gases

**Pressure and Flow:** Maximum work pressure 20 – 25 Mbar  
Flow Rate @ 20Mbar = 1 Cubic metre/hour per nozzle.

**Please note:** The appliance should be used to size pipe work and not the gas valve (See separate Arboles UK drop lever gas consumption sheet)

British Gas/BSI certified

**These items should only be installed by a person competent to do so.**

## ARBOLES UK LTD

Unit 56 • Flexspace Business Centre • Manchester Road • Bolton • BL3 2NZ T: 0044 (0)1204 388814 F: 0044 (0)1204 388813

sales@arboles.co.uk www.arboles.co.uk

