



ARBOLES UK LTD

LABORATORY TAPS, SAFETY SHOWERS AND EYE WASHES



Part No: 900126HW-WA Swivel swan neck cold water.

Description: Swivel swan neck tap with fixed serrated nozzles.

Applications: Standard laboratory water tap for all applications where header tank supply is present.

Options: Removable or full-bore nozzles are available on request.

Construction: All brass body, Rilsan plastic coated, white (RAL9016). Identification coding to DIN13792

Connection and mounting: ½" BSP male flat ended shank x 60mm long with back nut.

Standard anti-rotation base with location pin. Two mounting holes 22mm and 5mm diameter required, template enclosed.

Pressure and Flow: Maximum pressure 100PSI (Recommended 20PSI)

Flow Rate @ 20 psi = 12 Litre/min per outlet.

Spares: Spare handwheel: Pt No 960180

Valve headworks, Pt Nos 950148

WRAS: Approved

ARBOLES UK LTD

Unit 56 • Flexspace Business Centre • Manchester Road • Bolton • BL3 2NZ T: 0044 (0)1204 388814 F: 0044 (0)1204 388813

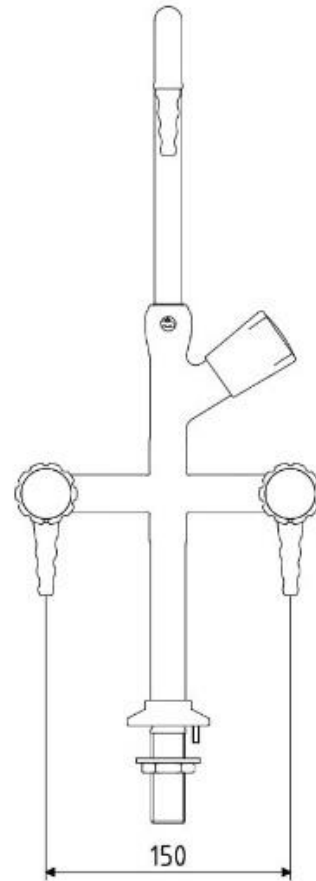
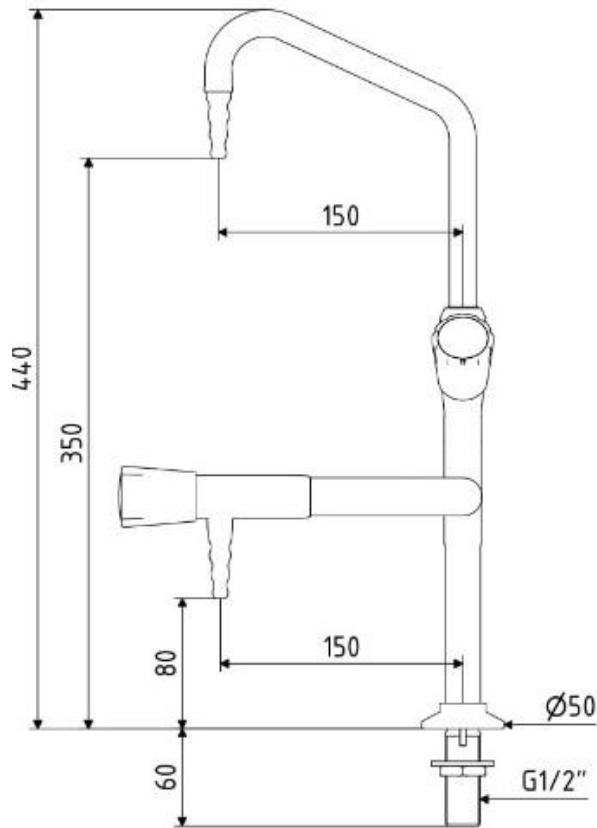
sales@arboles.co.uk www.arboles.co.uk





ARBOLES UK LTD

LABORATORY TAPS, SAFETY SHOWERS AND EYE WASHES



ARBOLES UK LTD

Unit 56 • Flexspace Business Centre • Manchester Road • Bolton • BL3 2NZ T: 0044 (0)1204 388814 F: 0044 (0)1204 388813

sales@arboles.co.uk www.arboles.co.uk

