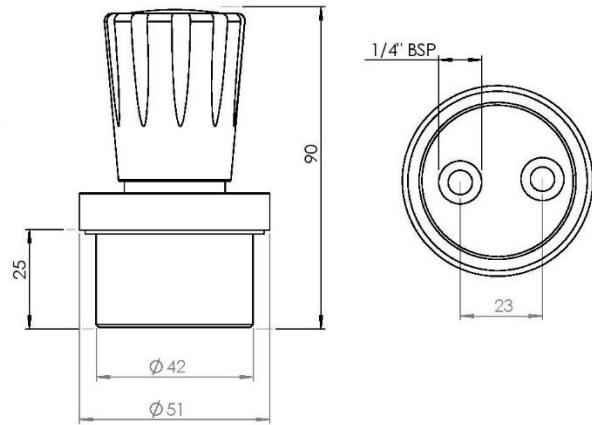
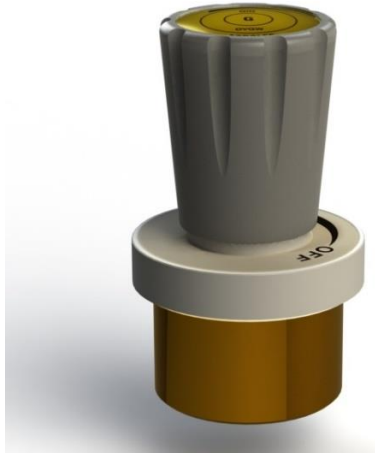




ARBOLES UK LTD

LABORATORY TAPS, SAFETY SHOWERS AND EYE WASHES



Part No: 901713NG-W Natural gas/LPG

Description: Single fume cupboard push-turn natural gas valve, 1/4" BSP female inlet and outlet.

Applications: Standard laboratory natural gas/LPG applications

Options: Dry service or water options also available

Construction: All brass body, plastic ID cover and handwheel (RAL7035).

Chemical resistant plastic ABS handwheel, Identification coding to DIN13792

Connection and mounting: 1/4" BSP Female inlet and outlet. Mounting hole 36mm Dia

Maximum panel thickness: 5mm

Pressure: Maximum pressure 20-25Mbar natural gas, 40Mbar LPG.

Please note: The appliance should be used to size pipe work and not the gas valve.

Spares: Handwheel Assembly, Pt No 960180

These items should only be installed by a person competent to do so.

ARBOLES UK LTD

Unit 56 • Flexspace Business Centre • Manchester Road • Bolton • BL3 2NZ T: 0044 (0)1204 388814 F: 0044 (0)1204 388813

sales@arboles.co.uk www.arboles.co.uk

