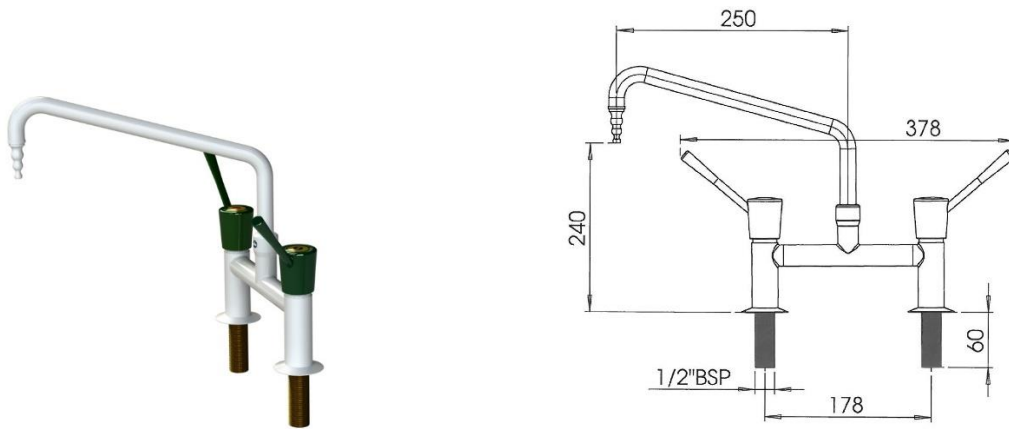




ARBOLES UK LTD

LABORATORY TAPS, SAFETY SHOWERS AND EYE WASHES



Part No: 910178MIX-W Balanced flow laboratory mixer tap

Description: Swivel swanneck hot and cold mixer tap, lever action with fixed serrated nozzle.

Applications: Standard laboratory mixer water tap for all applications where header tank supply is present.

Options: Removable or full-bore nozzles are available on request.

Construction: All brass body, Rilsan plastic coated, white (RAL9016).

Green aluminium lever, Identification coding to DIN13792

Connection and mounting: 2 x 1/2" BSP male flat ended shanks x 60mm long with back nut.

Two mounting holes 22mm diameter at 178mm centres are required.

Pressure and Flow: Maximum pressure 100PSI (Recommended 20PSI)

Flow Rate @ 20 psi = 35 Litre/min.

WRAS: Approved

ARBOLES UK LTD

Unit 56 • Flexspace Business Centre • Manchester Road • Bolton • BL3 2NZ T: 0044 (0)1204 388814 F: 0044 (0)1204 388813

sales@arboles.co.uk www.arboles.co.uk

