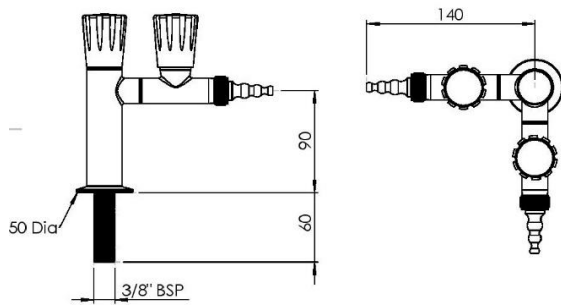




ARBOLES UK LTD

LABORATORY TAPS, SAFETY SHOWERS AND EYE WASHES



Part No: 902503CA-WA:

Description: Bench mounted two-way Needle valve, removable nozzle

Applications: Standard laboratory dry service tap. Suitable for Compressed air, Nitrogen, Vacuum and other dry service gases.

Options: Fixed nozzle available.

Construction: All brass body "Rilsan" plastic coated, white (RAL 9016).

Identification coding to DIN13792

Connection and mounting: 3/8" BSP male flat ended shank x 60mm long with back nut.

Standard anti-rotation base with location pin. Two mounting holes 17mm and 5mm diameter are required through the work surface, template enclosed.

Service: Dry service gases

Pressure: Maximum working pressure 100psi, Max test pressure 150psi

These items should only be installed by a person competent to do so.

ARBOLES UK LTD

Unit 56 • Flexspace Business Centre • Manchester Road • Bolton • BL3 2NZ T: 0044 (0)1204 388814 F: 0044 (0)1204 388813

sales@arboles.co.uk www.arboles.co.uk

