

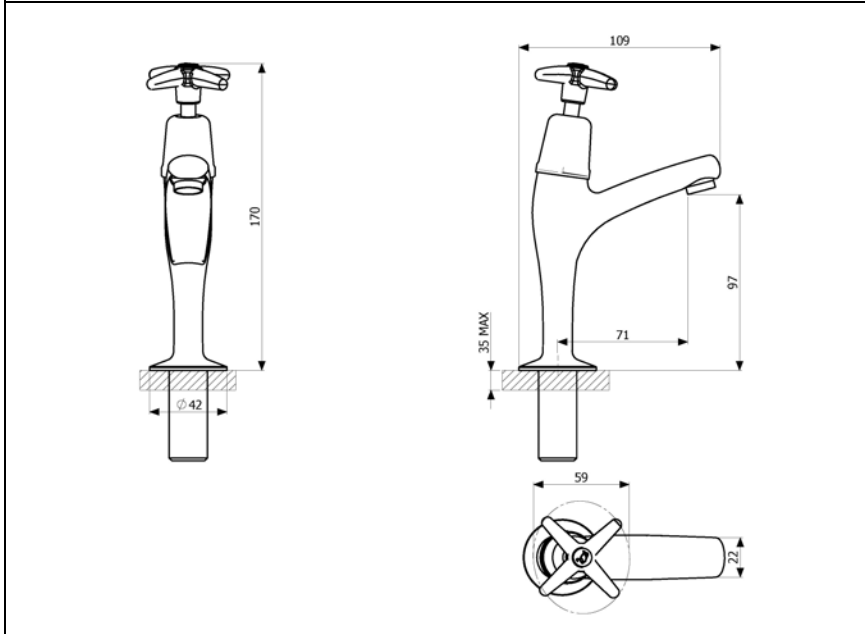


CROSS TOP

350903 – HIGH NECK KITCHEN TAP PAIR

Mercia

BY COMAP



Specification	
Finish	Chrome
Body	Brass
Fittings	Metal backnut & washer
Connection	1/2" BSP threaded tail
Min dynamic pressure	0.1
Max dynamic pressure	6
Max static pressure	16
Max water temperature	85°C

Flow rates				
Pressure	0.1	0.5	1	3
L/min	8.3	26.6	38.8	69.4

All Pressures are in Bar.
 Dimensions supplied are nominal and subject to tolerance.
 Inclusion of aerator (if supplied) or restrictors (sold separately unless stated) will affect flow rate result.
 Performance details are based on trials under test conditions and for guidance only.
 The Company reserves the right to change product specification without prior notice.

Features & Benefits

 Guarantee	 Low Pressure	 Inlet Tail	 Flow Straightener
 Single Flow			

Certifications

1407702 - July 19	Tested at 0.2 bar