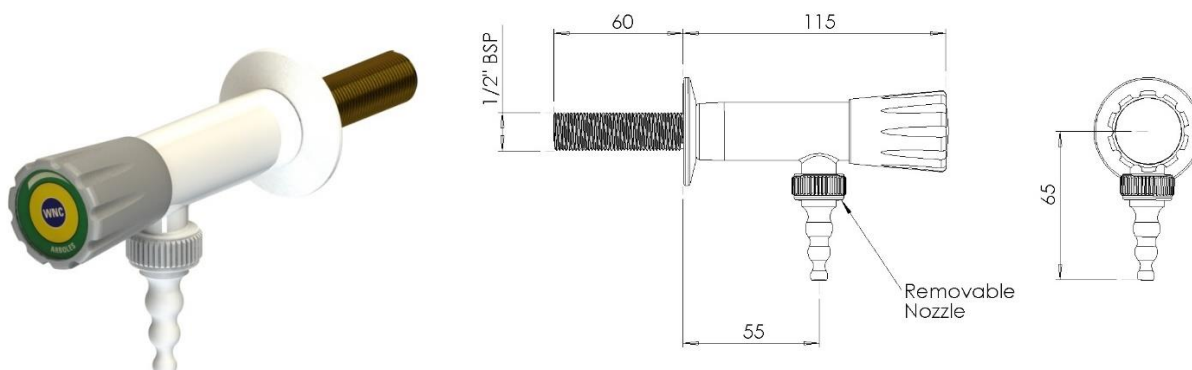




ARBOLES UK LTD

LABORATORY TAPS, SAFETY SHOWERS AND EYE WASHES



Part No: 900720CW-WA

Description: Laboratory wall mounting tap for water.

Applications: Standard laboratory wall mounting water tap suitable for hot or cold applications.

Construction: All brass body, Rilsan plastic coated, white (RAL 9016).

Identification coding to DIN13792

Connection and mounting: 1/2" BSP male flat ended shank x 60mm long with back nut.

A mounting hole 22 diameter is required through the surface, tap incorporates an anti-rotation pin as standard.

Service: Water

Pressure and Flow: Maximum pressure 100PSI (Recommended 20PSI)

Flow Rate @ 20 psi = 12 Litre/min.

Spares:

Spare handwheel: Pt No 960180,

Valve headworks: Pt Nos 950148,

Spare Nozzle: Pt No 900130-W

WRAS: Approved

ARBOLES UK LTD

Unit 56 • Flexspace Business Centre • Manchester Road • Bolton • BL3 2NZ T: 0044 (0)1204 388814 F: 0044 (0)1204 388813

sales@arboles.co.uk www.arboles.co.uk

