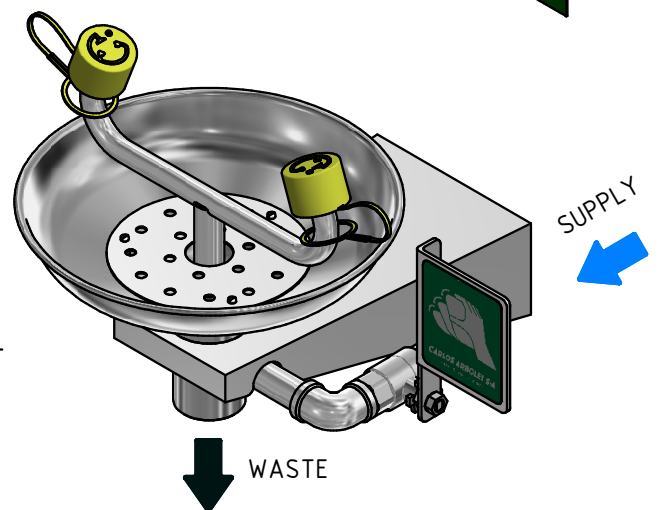


800 *
1000 *



STANDING SURFACE

* RECOMMENDED DIMENSIONS

ARBOLES UK LTD

Unit 56 · Flexspace Business Centre · Manchester Road · Bolton · BL3 2NZ
T: +44 (0)1204 388814 F: +44 (0)1204 388813

sales@arboles.co.uk www.arboles.co.uk

DATE

October 2020

DIMENSIONS IN MILLIMETERS
MAY VARY BY ±10mm

Product Dimensions

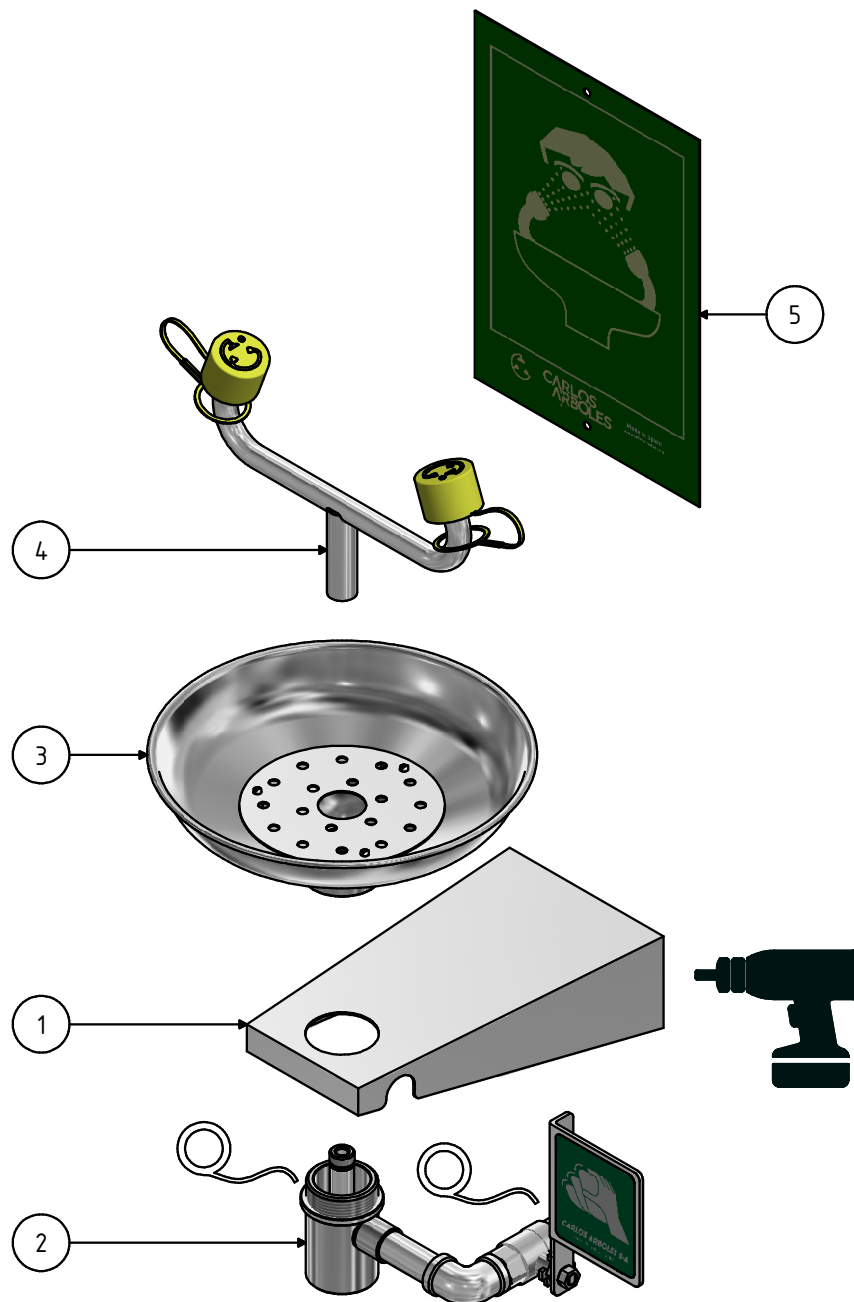
SIZE
DIN A4

SCALE
1:5



REF.
2210 TI

Stainless Steel Wall Mounted Eyewash



 Sealant
 Tools to fasten

Item	Qty	Ref.	Descr.
1	1	972051	WALL BRACKET
2	1	181020	VALVE ASSEMBLY
3	1	191150	BOWL
4	1	191136	EYE WASH 'BULL HORN' HEAD ASSEMBLY
5	1	191005	EYEWASH SIGN

ARBOLES UK LTD

Unit 56 · Flexspace Business Centre · Manchester Road · Bolton · BL3 2NZ
 T: +44 (0)1204 388814 F: +44 (0)1204 388813

sales@arboles.co.uk www.arboles.co.uk

DATE

October 2020

Installation Diagram

SIZE
DIN A4

SCALE
1:5

REF.
2210 TI

Stainless Steel Wall Mounted Eyewash