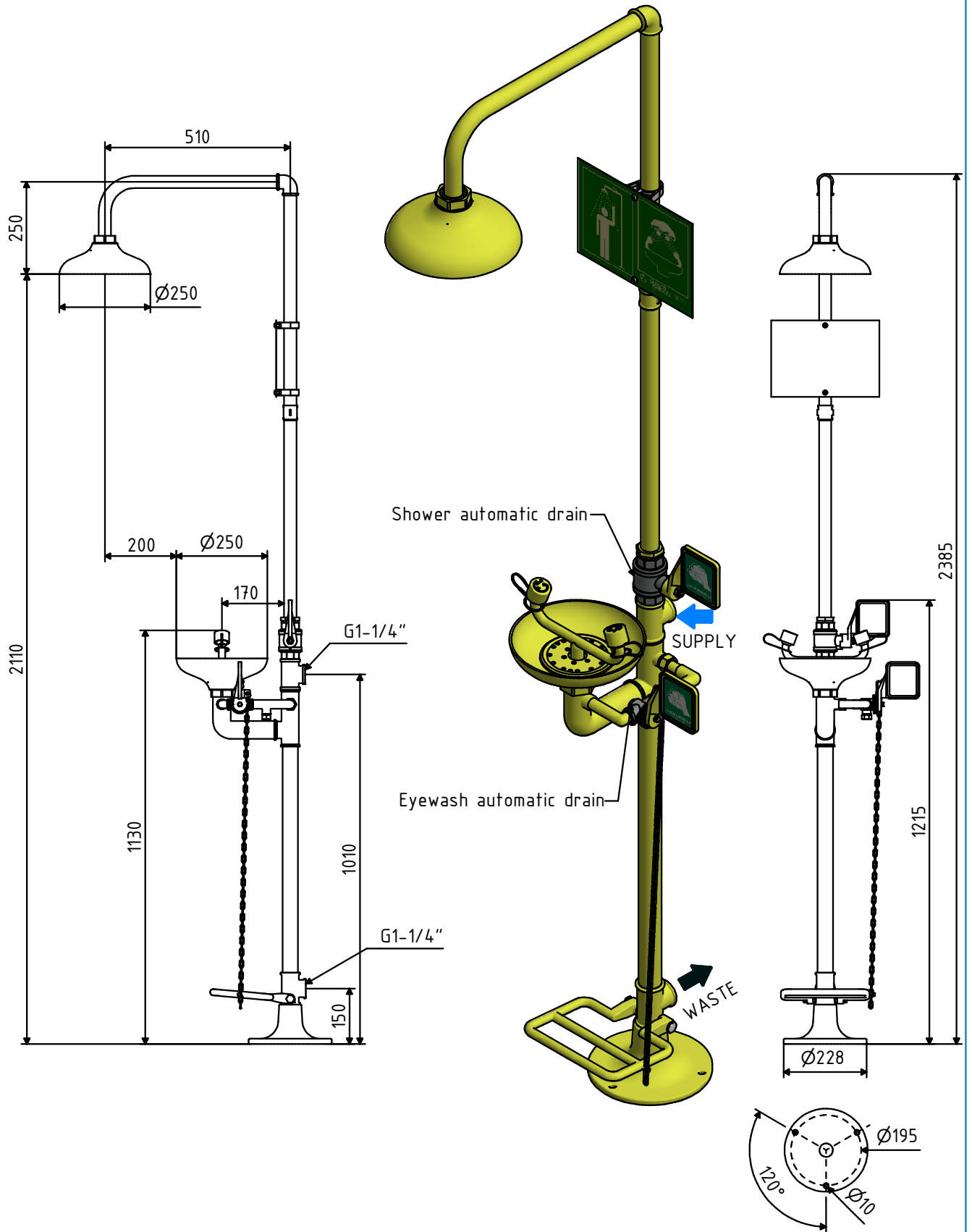


(1 : 10)



ARBOLES UK LTD

Unit 56 · Flexspace Business Centre · Manchester Road · Bolton · BL3 2NZ
T: +44 (0)1204 388814 F: +44 (0)1204 388813

sales@arboles.co.uk www.arboles.co.uk

DATE

February 2021

DIMENSIONS IN MILLIMETERS
MAY VARY BY ±10mm

Product Dimensions

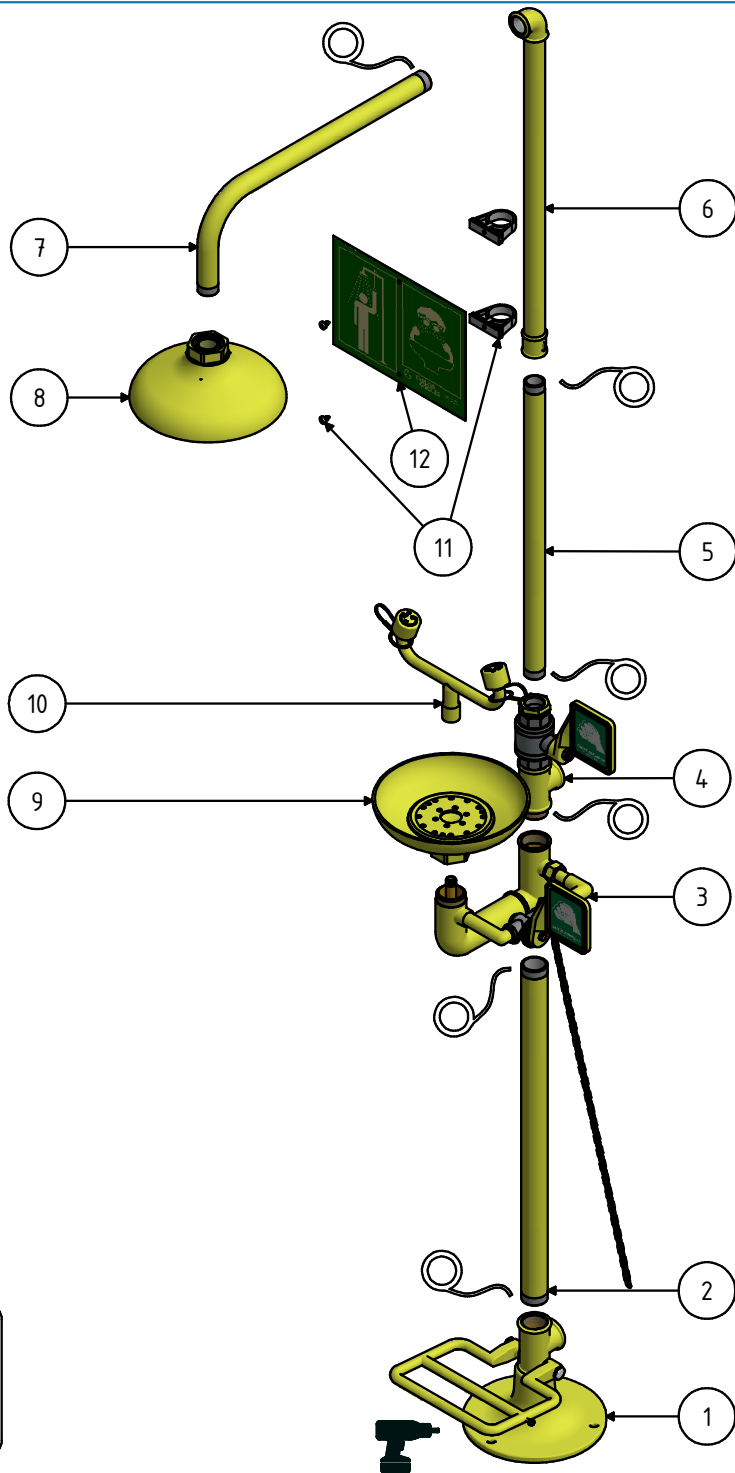
SIZE
DIN A4

SCALE
1 : 15



REF.
4253

Floor Mounted Self-draining Emergency Shower with Treadle Operated Eyewash



 Sealant
 Tools to fasten

Item	Qty	Ref.	Descr.
1	1	180035	SUPPORT ASSEMBLY WITH FOOT CONTROL
2	1	864650	PIPE 1-1/4" x 650 mm
3	1	180625	EYEWASH BLOCK ASSEMBLY
4	1	180750	VALVE ASSEMBLY
5	1	861570	PIPE 1" x 570 mm
6	1	180305	UPPER PIPE ASSEMBLY
7	1	860605	SHOWER ARM
8	1	190100	ABS SHOWER HEAD
9	1	190150	ABS BOWL
10	1	190136	EYE WASH 'BULL HORN' HEAD ASSEMBLY
11	1	191007	SIGN FIXING KIT
12	1	191006	SHOWER AND EYEWASH SIGN

ARBOLES UK LTD

Unit 56 - Flexspace Business Centre - Manchester Road - Bolton - BL3 2NZ
 T: +44 (0)1204 388814 F: +44 (0)1204 388813

sales@arboles.co.uk www.arboles.co.uk

DATE

February 2021

Installation Diagram

SIZE
DIN A4

SCALE
1:12

REF.
4253

Floor Mounted Self-draining Emergency Shower with Treadle Operated Eyewash