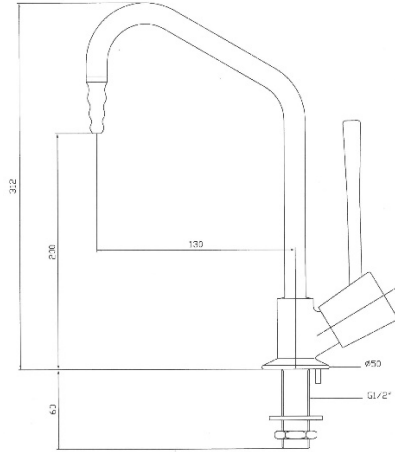


ARBOLES UK LTD

LABORATORY TAPS, SAFETY SHOWERS AND EYE WASHES



Part No: 902101HW-WAWA - lever action - hot water - left hand

902103CW-WAWA - lever action - cold water - right hand

Description: Fixed swanneck tap with removable serrated nozzles

Applications: Standard laboratory water tap for all applications (full WRAS approval)

Options: Removable or full-bore nozzles are available on request

Construction: All brass body, Rilsan plastic coated, white (RAL9016)

Green aluminium lever, Identification coding to DIN13792

Connection and mounting: 1/2" BSP male flat ended shank x 60mm long with back nut

Standard anti-rotation base with location pin. Two mounting holes 22mm and 5mm diameter required, template enclosed

Pressure and Flow: Maximum pressure 100PSI (Recommended 20PSI)

Flow Rate @ 20 psi = 12 Litre/min

Spares:

Green lever assembly: Pt No 190002

Valve headworks, Pt Nos 950139/950149

WRAS: Approved

ARBOLES UK LTD

Unit 56 • Flexspace Business Centre • Manchester Road • Bolton • BL3 2NZ T: 0044 (0)1204 388814 F: 0044 (0)1204 388813

sales@arboles.co.uk www.arboles.co.uk

