

1500L TANK SHOWER

MODEL: TS1500-P2

Suitable for all climates and fully compliant with ANSI Z358.1-2014 and EN15154 standards, this tank shower guarantees over 15 minutes of tepid water without the need of a mains water supply. The unit is completely corrosion resistant and suitable for hazardous or non-hazardous environments. Comes with water heater with temperature display, water level indicator, testing lever and tank-fed eyebath.

KEY FEATURES

- Over 15 minutes tepid water
- Manufactured in house, in the UK
- Photoluminous pictorial signs
- One-piece insulated GRP header tank



TECHNICAL DETAILS

CLASSIFICATION	Non-hazardous
POWER SUPPLY	240V 1PH 50Hz
WATER SUPPLY PRESSURE	0.5 - 6 bar
INLET CONNECTION	1" BSPM
SCREENED OVERFLOW	40mm PVC-U
SHOWER FLOW RATE	76lpm
EYEBATH FLOW RATE	Min 1.5lpm
BALL FLOAT VALVES for quick refill	2 x 3/4" stainless valves with 6" plastic floats
SHOWER OPERATION	Panic bar
EYEBATH OPERATION	Lift lid
SIGNAGE	Self-adhesive photoluminous pictorial sign
WATER HEATER	2.5Kw (Stat set at 18°C)

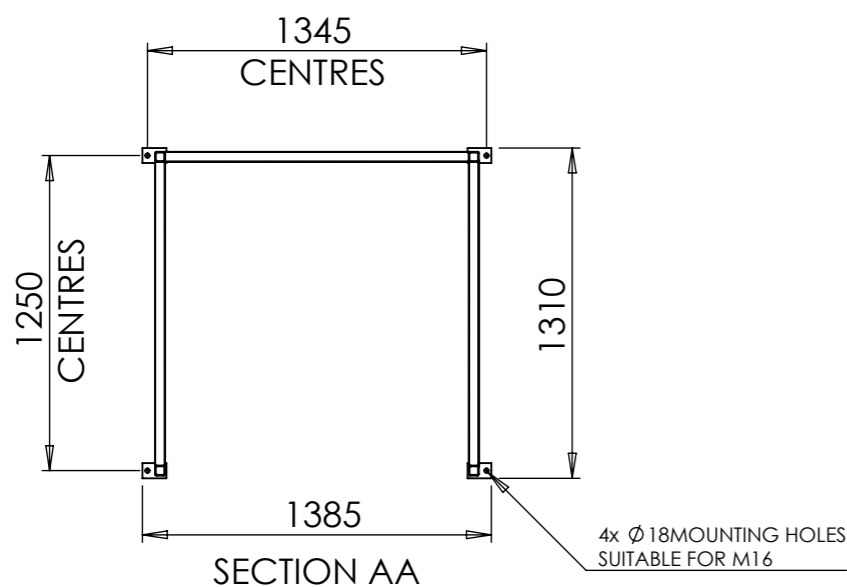
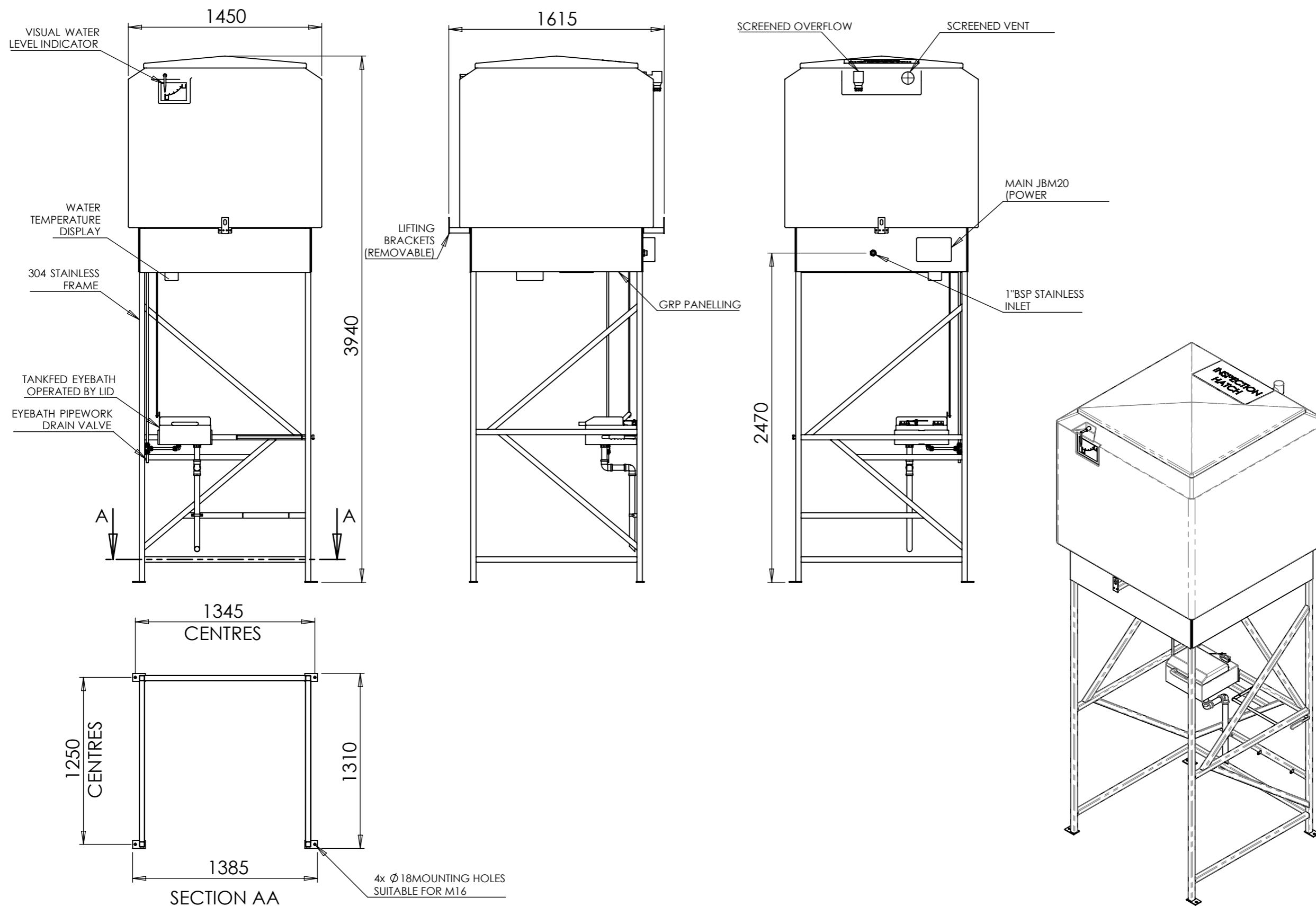
MATERIAL DETAILS

HEADER TANK	1500L yellow insulated GRP
HEADER TANK LID	White insulated GRP
SHOWER FRAME	304 stainless steel
OPERATING VALVES	Stainless steel
SHOWER ROSE	Yellow - ABS
PANIC BAR/TESTING LEVER	Stainless steel (powder coated red for high visibility)
EYEBATH	Yellow GRP + 2 low pressure nozzles



FOR REFERENCE ONLY

NOTES



PROPRIETARY AND CONFIDENTIAL

THE INFORMATION CONTAINED IN THIS DRAWING IS THE SOLE PROPERTY OF AQUA SAFETY SHOWERS INTERNATIONAL LTD. ANY REPRODUCTION IN PART OR AS A WHOLE WITHOUT THE WRITTEN PERMISSION OF AQUA SAFETY SHOWERS INTERNATIONAL LTD IS STRICTLY PROHIBITED.

DESCRIPTION
1500L TANK SHOWER

DWG NO. ARBOLES P2

REV A
REV DATE: 10082021

A3

